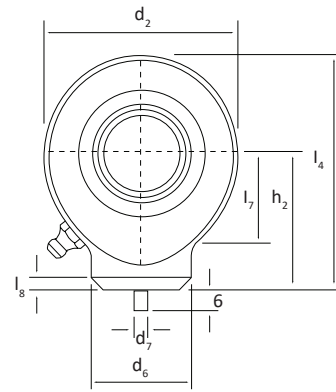
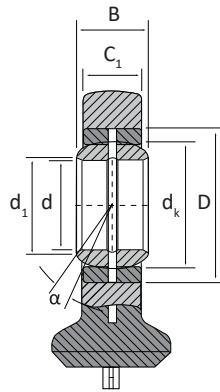


COMPONENTES PARA CILINDROS  
SC | RÓTULA DE SOLDAR REDONDA



Requer manutenção, mediante lubrificação do furo ou do alojamento.

CÓD.	Dimensões em mm															Graus $\approx \alpha$	Dist. das bordas $r_{1smin}$	Carga		Peso Kg
	d	d <sub>1</sub>	d <sub>2</sub>	d <sub>3</sub>	d <sub>6</sub>	d <sub>7</sub>	d <sub>k</sub>	B	C <sub>1</sub>	D	h <sub>2</sub>	l <sub>4</sub>	l <sub>7</sub>	l <sub>8</sub>	W			C	C <sub>0</sub>	
SC 10 ES/HM	10	13.20	29	-	15.0	3	16.00	9	7.00	19	24	38.50	15.0	1.5	-	12	0.3	8.15	15.6	0.041
SC 12 ES/HM	12	15.00	34	-	17.5	3	18.00	10	8.00	22	27	44.00	18.0	1.5	-	11	0.3	10.8	21.6	0.066
SC 15 ES/HM	15	18.40	40	-	21.0	4	22.00	12	10.0	26	31	51.00	20.0	2.0	-	8	0.3	17.0	32.0	0.120
SC 17 ES/HM	17	20.70	46	-	24.0	4	25.00	14	11.10	30	35	58.00	23.0	2.0	-	10	0.3	21.2	40.0	0.190
SC 20 ES/HM	20	24.10	53	-	27.5	4	29.00	16	13.0	35	38	64.50	27.5	2.0	-	9	0.6	30.0	54.0	0.230
SC 25 ES/HM	25	29.30	64	-	33.5	4	35.50	20	17.0	42	45	77.00	33.0	3.0	-	7	0.6	48.0	72.0	0.430
SC 30 ES/HM	30	34.20	73	-	40.0	4	40.70	22	19.0	47	51	87.50	37.5	3.0	-	6	0.6	62.0	95.0	0.640
SC 35 ES/HM	35	39.70	82	-	47.0	4	47.00	25	21.0	55	61	102.0	43.0	3.0	-	6	0.6	80.0	125.0	0.960
SC 40 ES/HM	40	45.00	92	-	52.0	4	53.00	28	23.0	62	69	115.0	48.0	4.0	-	7	0.6	100.0	156.0	1.300
SC 45 ES/HM	45	50.70	102	-	58.0	6	60.00	32	27.0	68	77	128.0	52.0	4.0	-	7	0.6	127.0	208.0	1.800
SC 50 ES/HM	50	56.00	112	-	62.0	6	66.00	35	30.0	75	88	144.0	59.0	4.0	-	6	0.6	156.0	250.0	2.500
SC 60 ES/HM	60	66.80	135	-	70.0	6	80.00	44	38.0	90	100	167.5	72.5	4.0	-	6	1.0	245.0	390.0	3.900
SC 70 ES/HM	70	77.80	160	-	80.0	6	92.00	49	42.0	105	115	195.0	86.0	5.0	-	6	1.0	315.0	510.0	6.600
SC 80 ES/HM	80	89.40	180	-	95.0	6	105.0	55	47.0	120	141	231.0	98.0	5.0	-	6	1.0	400.0	620.0	8.700

C - Carga dinâmica  
C<sub>0</sub> - Carga estática